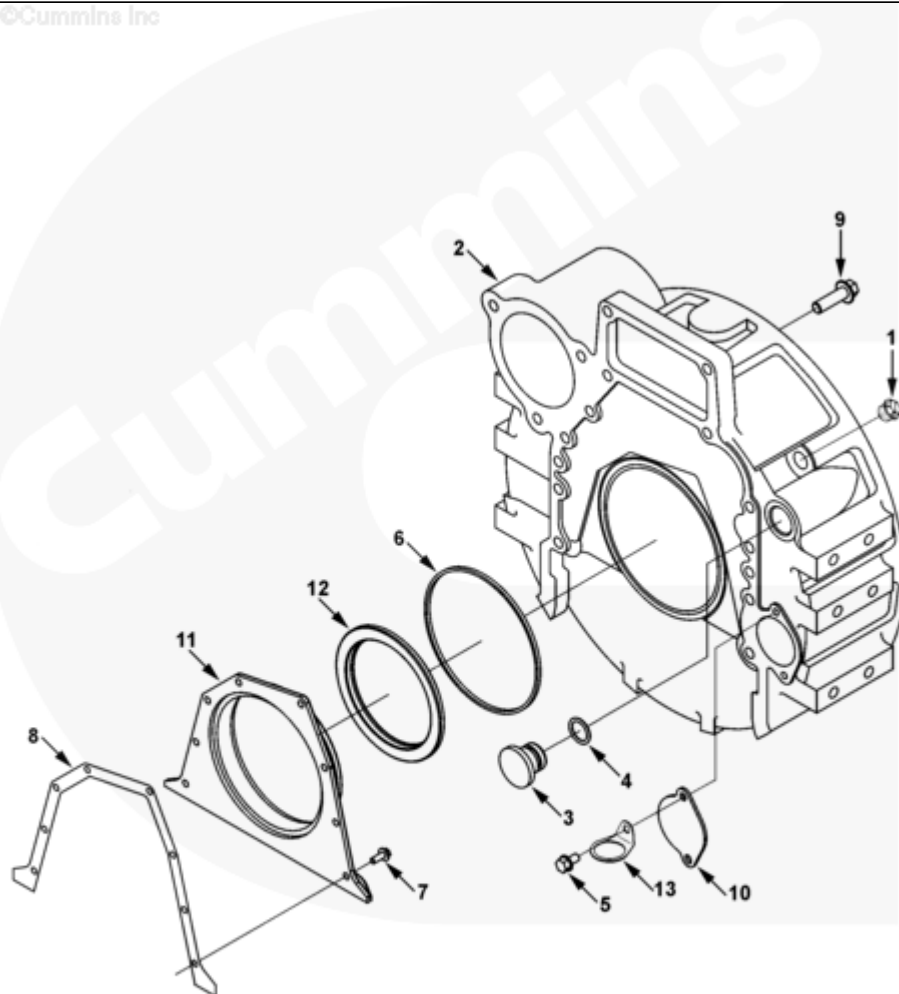




# Parts Catalog - Option Detail

Electronic Parts Catalog - Option Detail				
Option	Group	Graphic	Film Card	Date
FH9030-03	16.01	fh961gv	Z	28-JAN-98
<b>Engines</b>	6C8.3, C GAS PLUS CM556, G8.3, G8.3 CM558, GTA8.3 CM558, ISC CM2150, ISC CM554, ISC CM850, ISC8.3 CM2250, ISC8.3 G CM2180 C101, ISL CM2150, ISL CM554, ISL CM850, ISL G CM2180, ISL8.9 CM2150 L110, ISL8.9 CM2880 L112, ISL9 CM2150 SN, ISL9 CM2250, ISL9 CM2350 L101, ISL9 CM2350 L111, ISLE4 CM850, L GAS PLUS CM556, L8.9, L8.9 L121, L8.9G CMOH2.0 L125B, L9 CM2350 L116B, L9 CM2350 L119B, L9 CM2350 L120C, L9 CM2350 L123B, L9.3 L105, L9.5 L117, L9N CM2380 L124B, QSC8.3 CM2250, QSC8.3 CM2880 C102, QSC8.3 CM554, QSC8.3 CM850(CM2850), QSL9 CM2250, QSL9 CM2250 L115, QSL9 CM2350 L102, QSL9 CM2350 L107, QSL9 CM2350 L118, QSL9 CM2350 L122, QSL9 CM554, QSL9 CM850(CM2850), QSL9 G CM558, QSL9 M CM2250 L106, QSL9.3 CM2880 L113			



fh961gv

Cart	Ref No	Part Number	Part Description	Required	Remarks
View My Cart					
		FH9030-03	Flywheel Housing		
					Engine Design Phase: Current
					Product
					Wet/Dry Clutch: Dry
					Housing Material: Aluminum
					SAE Size or Type: SAE 3
					Starter Mount SAE: SAE #3 -
					3 Bolt 120 degree
					Starter Mount Thread Type:
					Metric
					St Quadrant: 1st
					Starter Pad Offset from RFOB
					(mm): 0.00
					Starter Mounting Hole
					Diameter (mm): 92.05
					Mount Type: Pad
					Engine Mounting Hole
					Dimension: M12x1.75-6H
					# Mount Holes: 12
					Engine Mount Top Hole +/- CR
					C/L (mm): 82.56
					Tach Sensor Location: 4th
					Tach Size: 3/4 - 16 UNF
					Tach Count: 1
					Trans Mt Holes Count/Thread:
					12 - M10 x 1.50 6H
					Starter Pad +/- CR C/L Y Axis
					(mm): 146.14

					Starter Pad +/- CR C/L X Axis
					(mm): 168.12
					Starter Bore Angle (deg): 49
					Flywheel Housing Attachment
					Provision: Cylinder Block
					Starter Center Distance:
					222.758
					Doweled for Oil Pan: No
					Engine Family: C Series
					Brazil may use Rear Cover p/n
					3357700 instead of p/n
					3911699.
<input type="checkbox"/>	1	<a href="#">3904181</a>	Threaded Plug	1	3/4 - 16 UNF
<input type="checkbox"/>	2	<a href="#">3908799</a>	Flywheel Housing	1	
<input type="checkbox"/>	3	<a href="#">3910248</a>	O-Ring Plug	1	
<input type="checkbox"/>	4	<a href="#">3910260</a>	O-Ring Seal	1	
<input type="checkbox"/>	5	<a href="#">3912072</a>	Self Tapping Metal Screw	2	M8 x 1.25 x 15
<input type="checkbox"/>	6	<a href="#">3912473</a>	Rectangular Ring Seal	1	
<input type="checkbox"/>	7	<a href="#">3913638</a>	Hexagon Flange Head Cap Screw	8	M6 X 1.00 X 16.
<input type="checkbox"/>	8	<a href="#">3914301</a>	Rear Cover Gasket	1	
<input type="checkbox"/>	9	<a href="#">3920447</a>	Hexagon Flange Head Cap Screw	12	M12 X 1.75 X 40.
<input type="checkbox"/>	10	<a href="#">3925234</a>	Cover Plate	1	
		<a href="#">3911699</a>	Rear Cover	1	Order Individual Parts.
<input type="checkbox"/>	11	<a href="#">3933384</a>	Rear Cover	1	
<input type="checkbox"/>	12	<a href="#">3934486</a>	Rr Crankseal Serv Kit	1	
<input type="checkbox"/>	13	<a href="#">3928989</a>	Clip	1	